

FEATURES & BENEFITS

VALVE

Valve is designed to make the flushing of fluid occur with the push of a stainless steel flag, and is equipped with a stainless steel ball and stem to provide added protection against corrosion and breakage.

SAFETY

8" x 10-3/4" (20.3 x 27.3 cm) universal emergency sign make the unit easily detected in an emergency. Test card to record weekly checks helps maintain the unit's best working quality.

MOUNTING

Unit mounts on right side of the sink providing the correct fit for a right sided counter mounting scenario.

EYE/FACE WASH

AXION® MSR eye/face wash head (patent pending) uses an inverted directional laminar flow to sweep contaminants away from the vulnerable nasal cavity.



OPTIONS

- ❑ Thermostatic Mixing Valve: Model 9201EW AXION® Emergency Tempering Valve thermostatically mixes hot and cold water to provide a safe fluid supply for a single emergency eye/face wash, with a flow rate of 10 gpm (38.8 L).
- ❑ Emergency Alarm System : Model 9001.5, 1/2" 120 VAC emergency alarm and light system. Buzzer and flashing light are activated by a 1/2" IPS double pole, double throw flow switch.
- ❑ Thermostatic Mixing Valve: Model 9201EFE AXION® Emergency Tempering Valve thermostatically mixes hot and cold water to provide a safe fluid supply for a single emergency eye/face wash, with a flow rate of 12 gpm (38.8 L).
- ❑ Thermostatic Mixing Valve: Model TWBS.EWE Lead-free AXION® Emergency Tempering Valve thermostatically mixes hot and cold water to provide a safe fluid supply for emergency eyewash equipment, with a flow rate of 12 gpm (45.4 L).

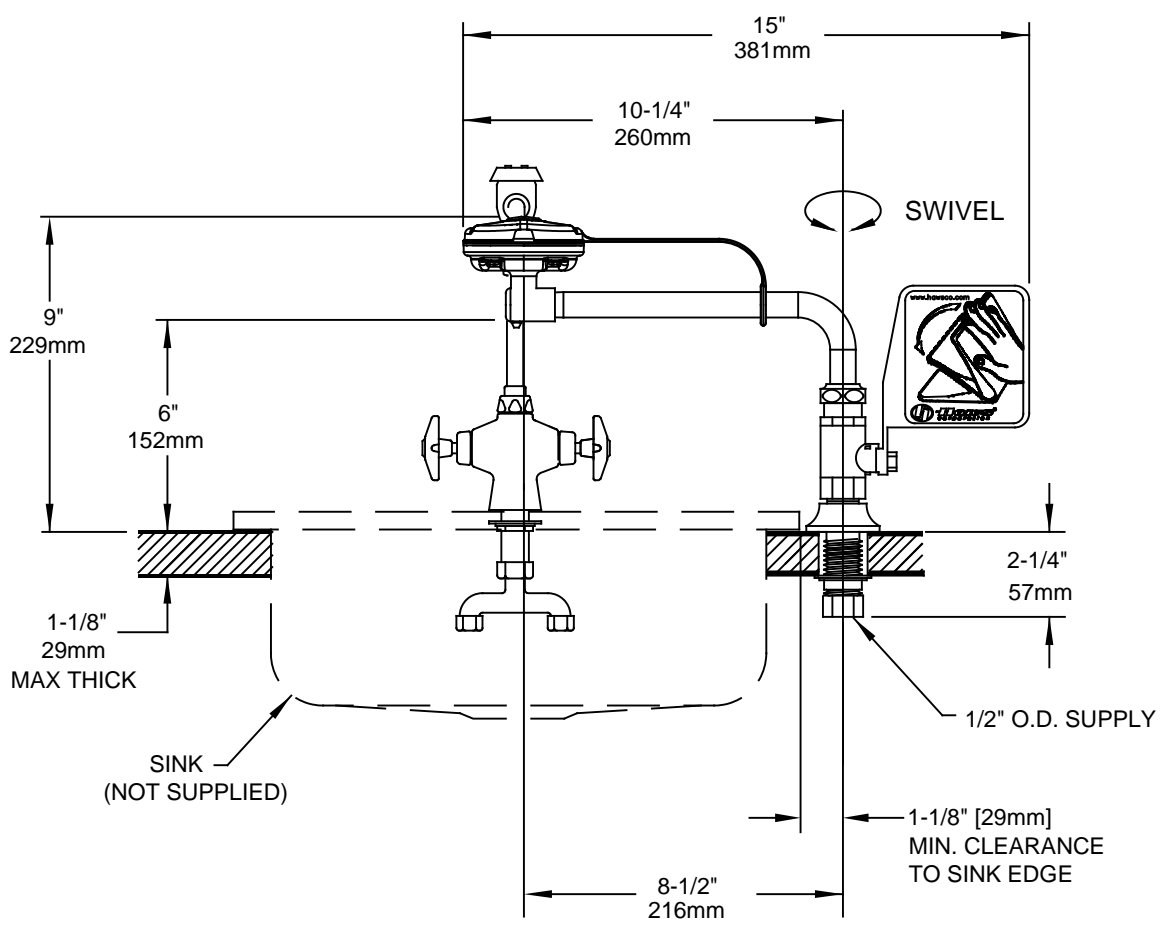
For more information, visit www.hawsc.com or call (888) 640-4297.

SPECIFICATIONS

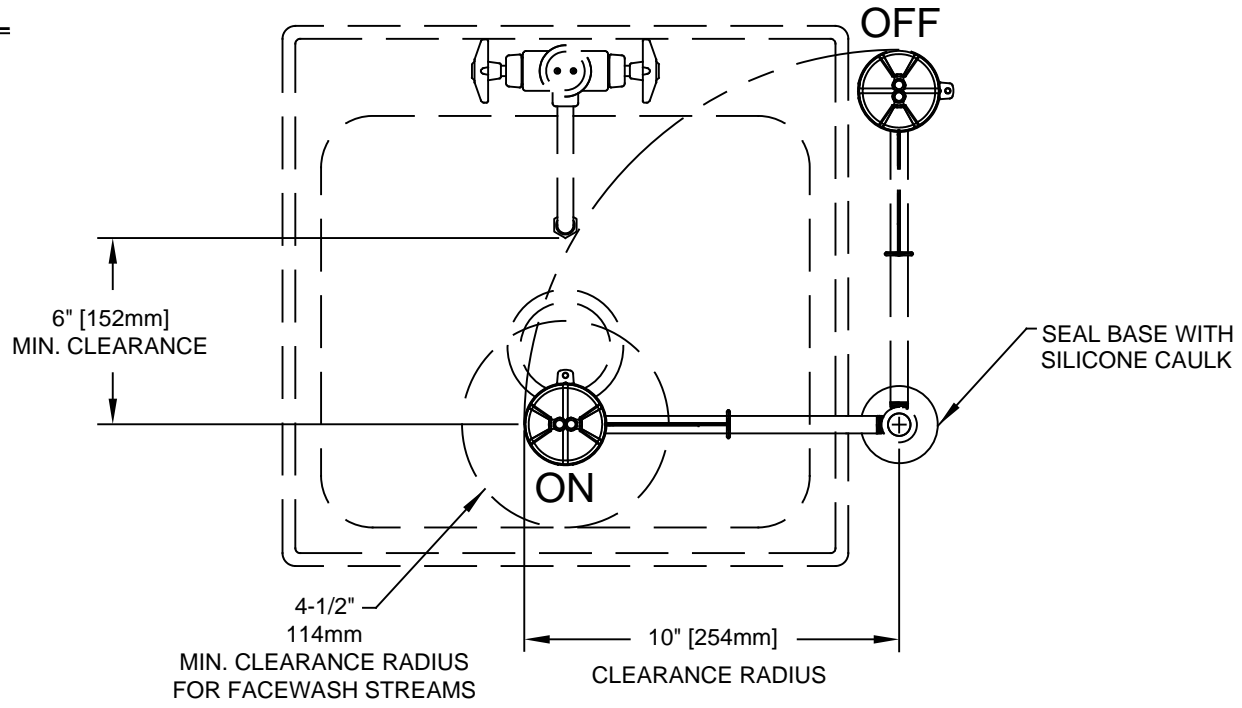
Model 7612 right sided sink-top mounted eyewash shall include an AXION® MSR stainless steel eye/face wash head with inverted directional laminar flow which achieves Zero Vertical Velocity™ supplied by an integral 3.7 gpm flow control, chrome-plated brass stay-open ball valve equipped with stainless steel ball and stem, swing-away feature when not in use, universal sign, and 1/2" O.D. (1.3 cm) slip-joint inlet.

APPLICATIONS

Where safety is of the utmost importance and the eyes of any person may be exposed to injurious or corrosive materials, suitable facilities for quick flushing and cleansing of the eyes be provided within the work area for immediate emergency use. When installed properly, the stable construction and counter top design of the 7612 is space efficient and durable. Model is certified by CSA to meet the ANSI Z358.1 Standard for Emergency Eyewash and Shower Equipment.



MOUNTING HOLE DETAIL



NOTES:

1. WHEN INSTALLING THIS UNIT, LOCAL, STATE, OR FEDERAL CODES SHOULD BE ADHERED TO FOR INSTALLATION DIMENSIONS (LOCATIONS), WASTE AND SUPPLY REQUIREMENTS OTHER THAN SHOWN.
2. TO COMPLY WITH ANSI Z358.1-2014 FOR EMERGENCY EYEWASH OR EYE/FACE WASH: EYEWASH OR EYE/FACE WASH SHALL BE POSITIONED SUCH THAT FLUSHING FLUID PATTERN IS NOT LESS THAN 33" (838mm) AND NO GREATER THAN 45" (1143mm) FROM SURFACE ON WHICH USER STANDS; AND 6.0" (153mm) MINIMUM FROM WALL OR NEAREST OBSTRUCTION.
3. INSTALL UNIT SUCH THAT EYEWASH HEAD IS OVER SINK WHEN ACTIVATED.
4. DIMENSIONS MAY VARY BY ±1/2" (12.7mm).

ECN NO. 5175 DATE: 09/07/91 CHK'D: WVC APPROVED: EV	REVISION PERMITS: ECN: 5175 DATE: 09/07/91 CHK'D: WVC APPROVED: EV
MODEL(S) 7612	PART NUMBER 0002080064.D REVISION 13
1455 KLEPPE LANE SPARKS, NEVADA 89431 (775) 359-4712 FAX (775) 359-7424 E-MAIL: HAWS@HAWS.CO.COM WEBSITE: WWW.HAWS.CO.COM	